



Split Packaged Air-Handling Units

7.5-20 Nominal Tons, 380V-3Ph-50Hz



Products that perform...By people who care



Features

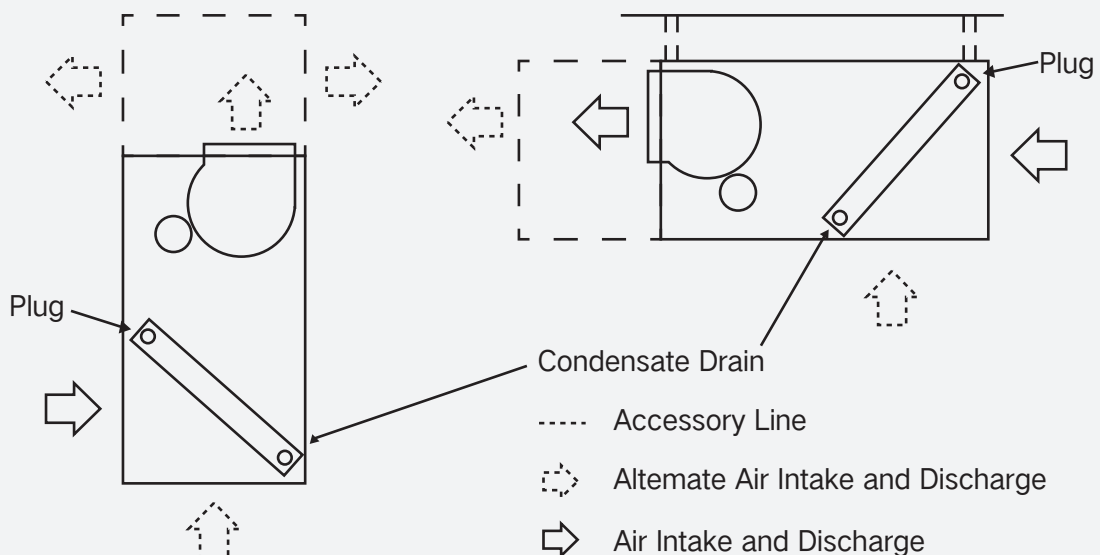
- And ideal solution for replacement and new construction;
- Multi-position design for horizontal or vertical installation without modification;
- High-static design meets a wider range of applications than competitive packaged air handler lines;
- Die-formed galvanized steel panels ensure structural integrity under all operating conditions;
- Cooling capacity from 7.5RT to 20RT;
- With standard 24V control interface, customer can easily buy the controller locally;



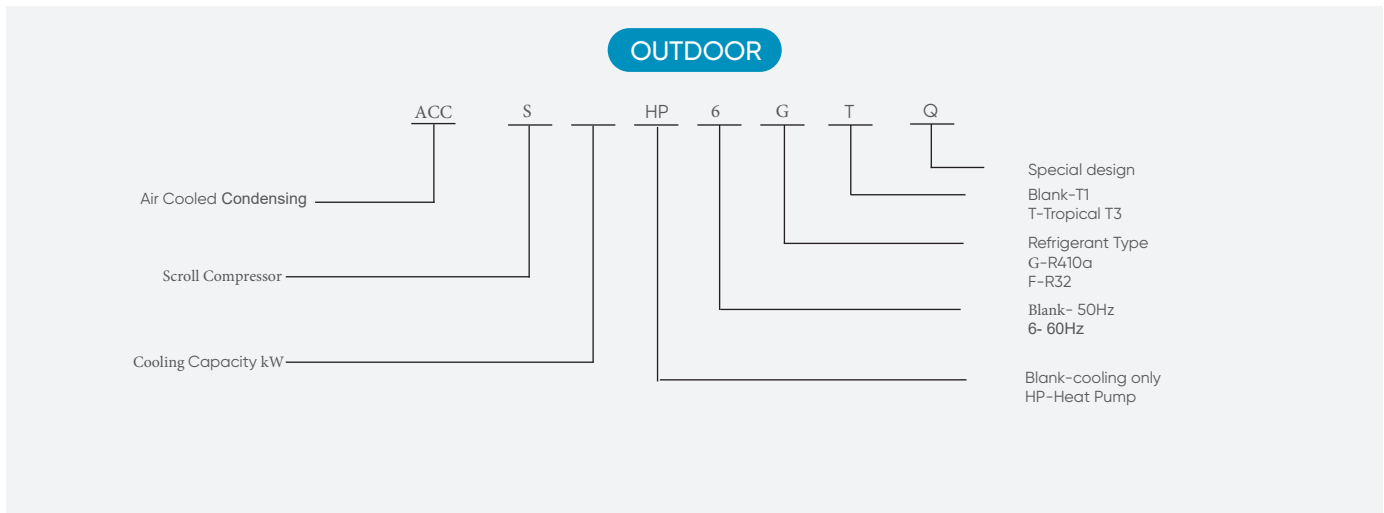
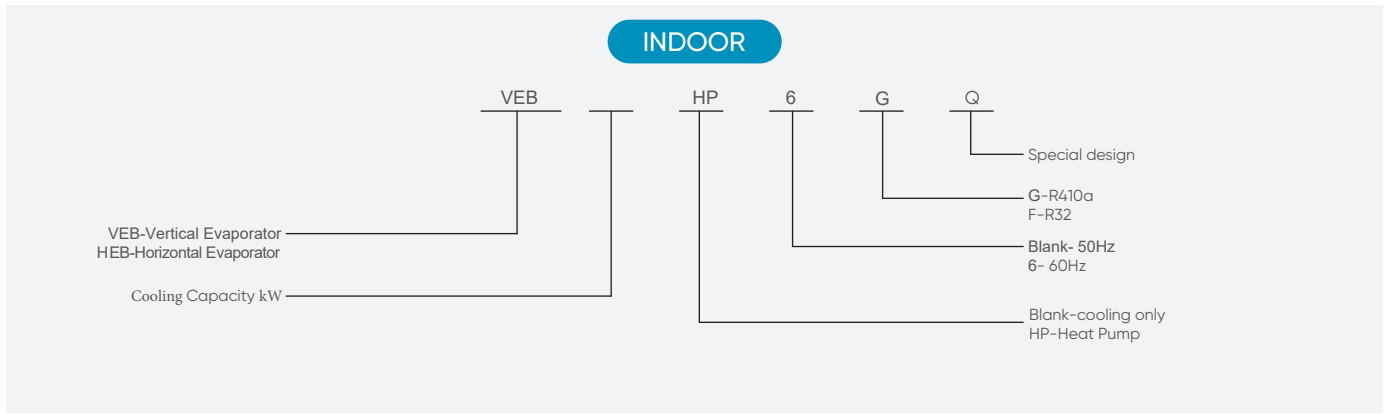
- Standard high quality and washable aluminum filter;



Standard aluminum filter



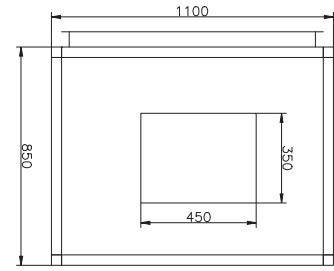
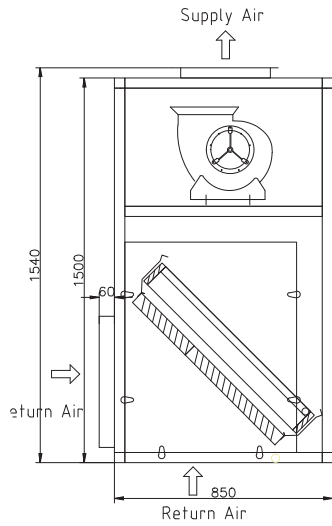
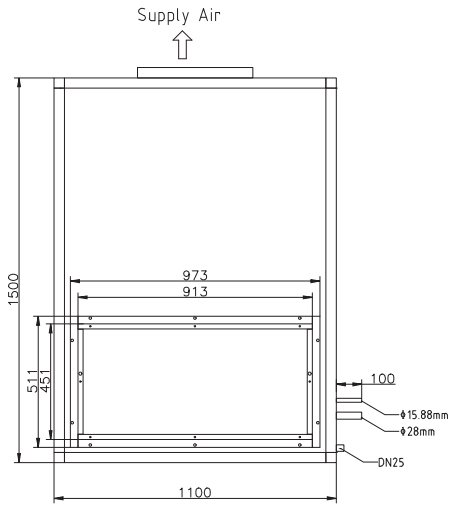
Model number nomenclature



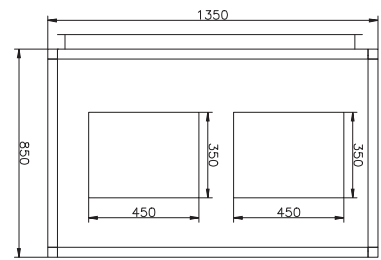
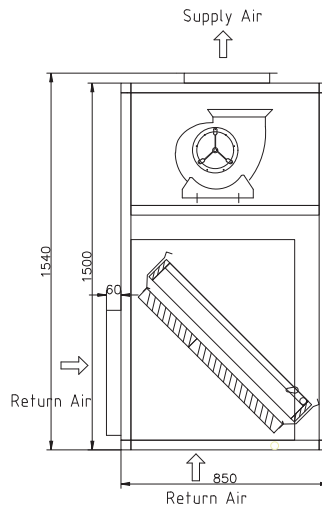
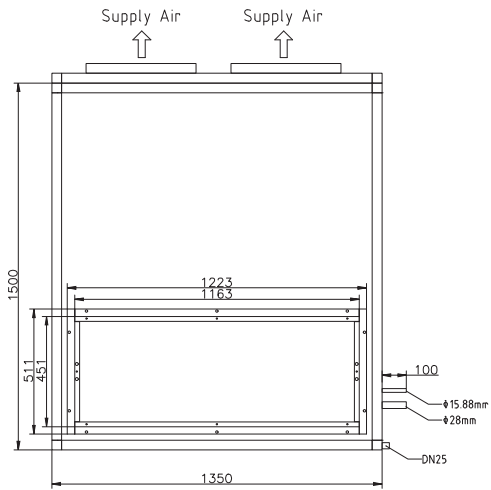
Specification

Indoor Model		VEB27		VEB35		VEB53		VEB70		
Outdoor Model		ACCS27		ACCS35		ACCS53		ACCS70		
Cooling capacity	kW	26.4		35.2		52.8		70.4		
	Ton	7.5		10		15		20		
Power input in cooling	kW	10.5		14.1		21		28.2		
Air flow rate	m ³ /h	4500		6000		9000		12000		
ESP	Pa	200		200		300		300		
Capacity contro		0、100%		0、100%		0、50%、100%		0、50%、100%		
Power supply		3Ph 380V 50Hz		3Ph 380V 50Hz		3Ph 380V 50Hz		3Ph 380V 50Hz		
Refrigerant		R410A		R410A		R410A		R410A		
Compressor	ype	Scroll		Scroll		Scroll		Scroll		
	Brand	Copeland		Copeland		Copeland		Copeland		
	Qty	1		1		2		2		
Condenser fan	ype	Axial fan		Axial fan		Axial fan		Axial fan		
	Air flow rate	m ³ /h	10000		13000		2*10000		2*13000	
	Qty		1		1		2		2	
Evaporator coil type		Cu tube/Al fin		Cu tube/Al fin		Cu tube/Al fin		Cu tube/Al fin		
Condenser coil type		Cu tube/Al fin		Cu tube/Al fin		Cu tube/Al fin		Cu tube/Al fin		
Indoor Fan Type		Centrifugal fan		Centrifugal fan		Centrifugal fan		Centrifugal fan		
Outdoor Fan Type		Axial Fan		Axial Fan		Axial Fan		Axial Fan		
Filter type		Metal filter		Metal filter		Metal filter		Metal filter		
Pipe connection	Liquid	Type	φ16x1		φ16x1		φ16x1		φ16x1	
		Qty	1		1		2		2	
	Gas	Type	φ28x1.2		φ28x1.2		φ28x1.2		φ28x1.2	
		Qty	1		1		2		2	
"Dimensions (Indoor)"	L	mm	1100		1350		1750		1950	
	W	mm	850		850		850		1100	
	H	mm	1500		1500		1500		1750	
Weight(Indoor)	kg	420		480		560		720		
"Dimensions (Outdoor)"	L	mm	1080		1130		1850		1950	
	W	mm	1008		1008		1100		1100	
	H	mm	1050		1175		1164		1206	
Weight(Outdoor)	kg	220		260		410		450		

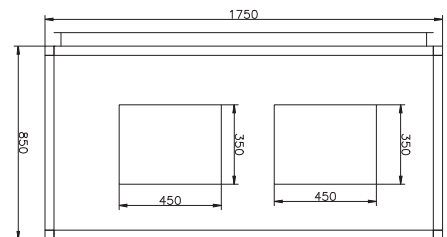
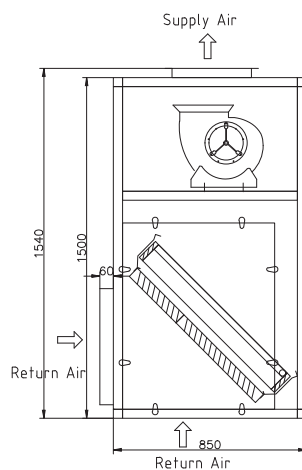
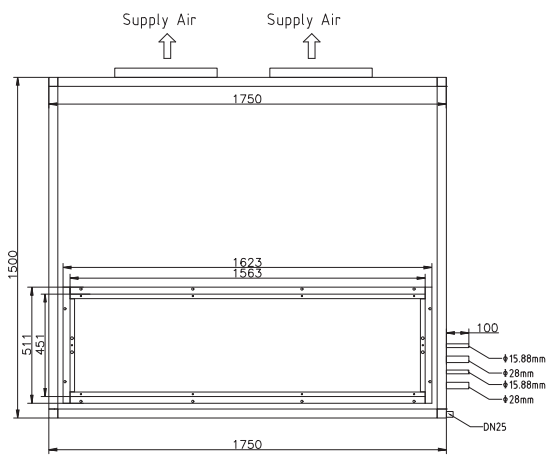
VEB27



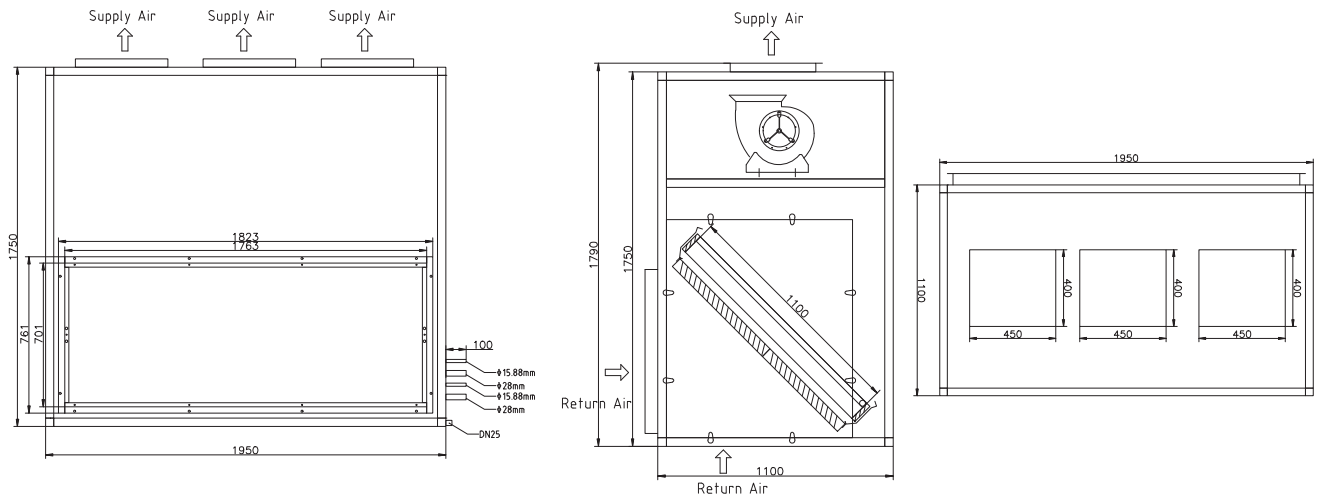
VEB35



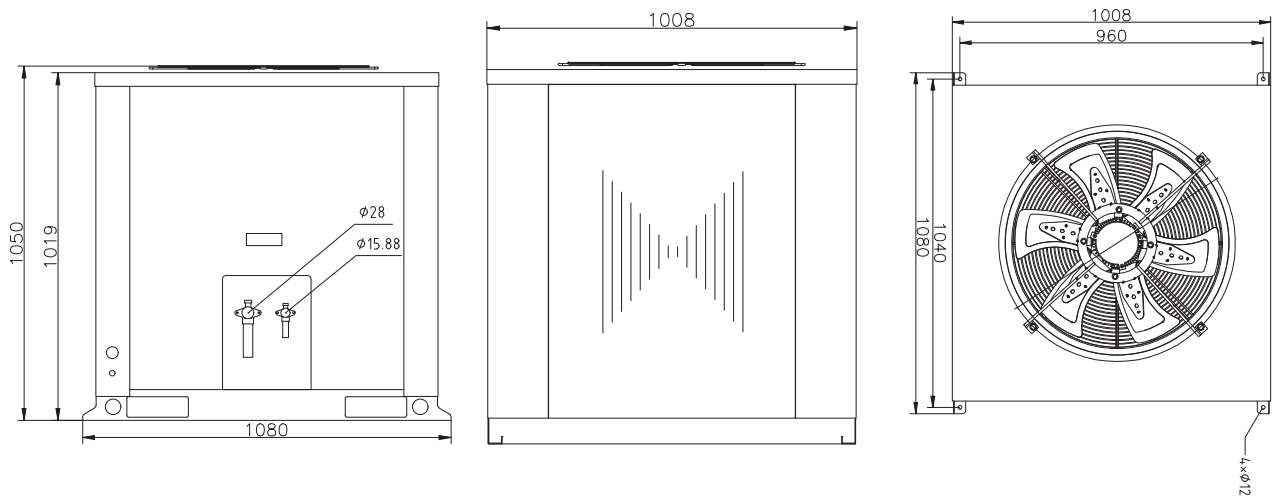
VEB53



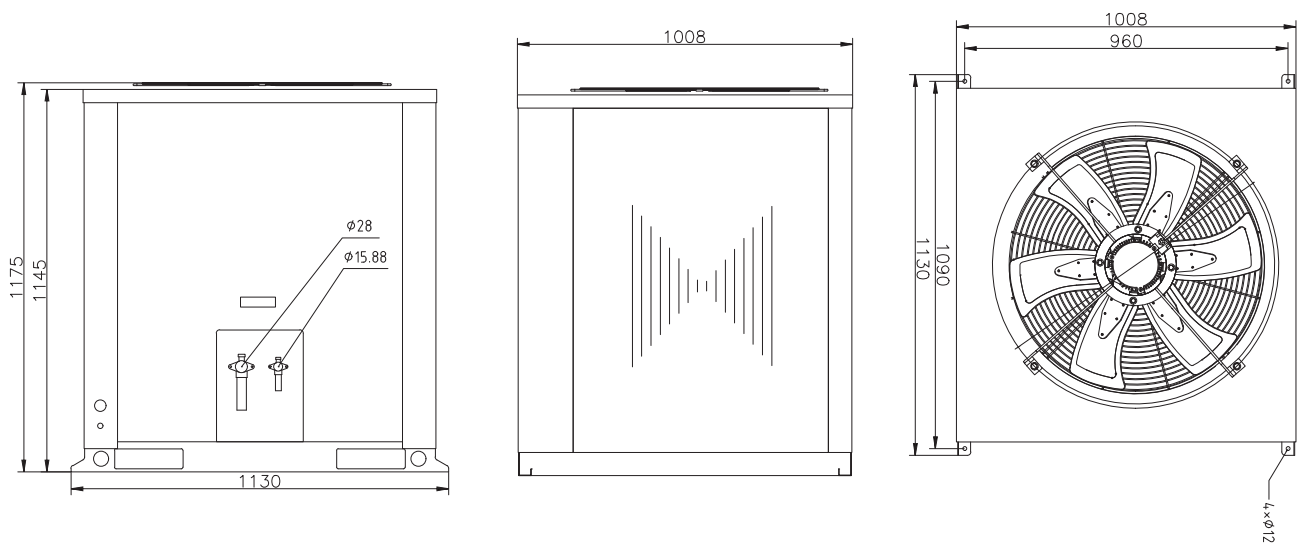
VEB70



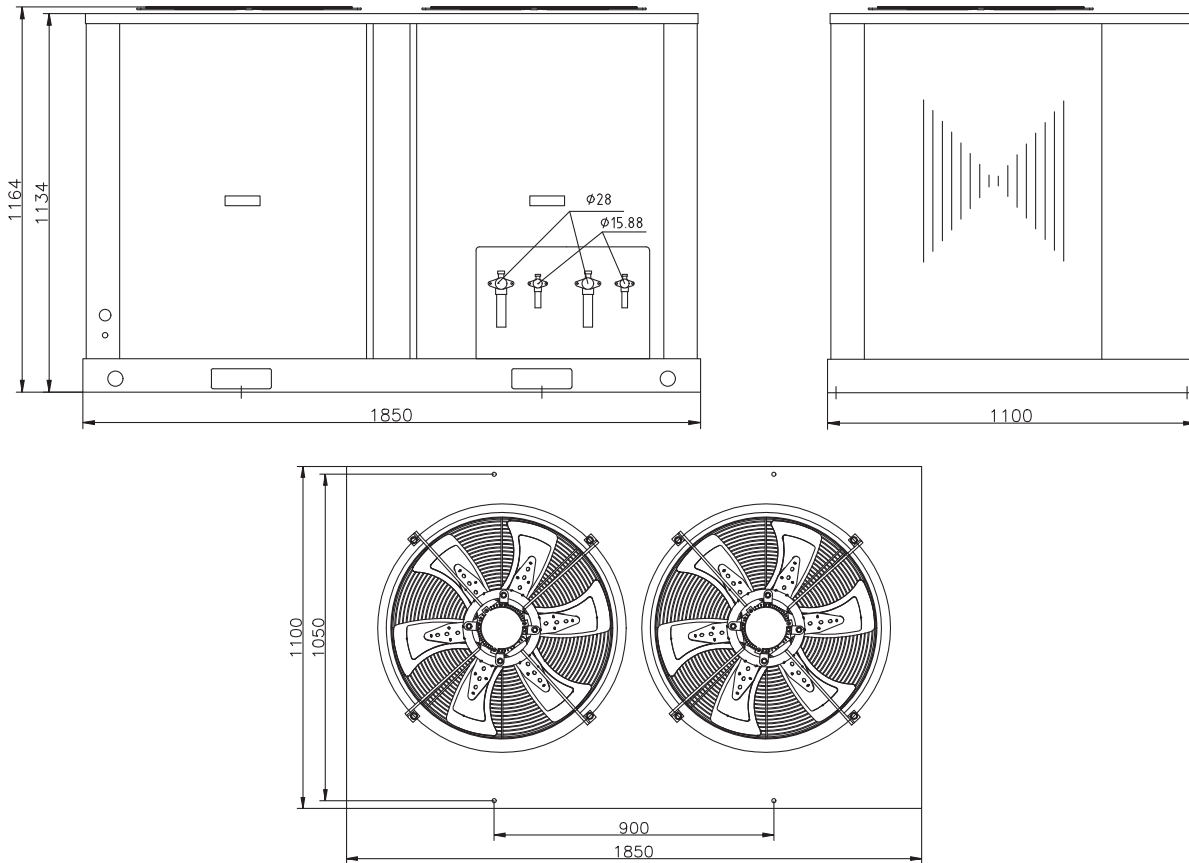
ACCS27



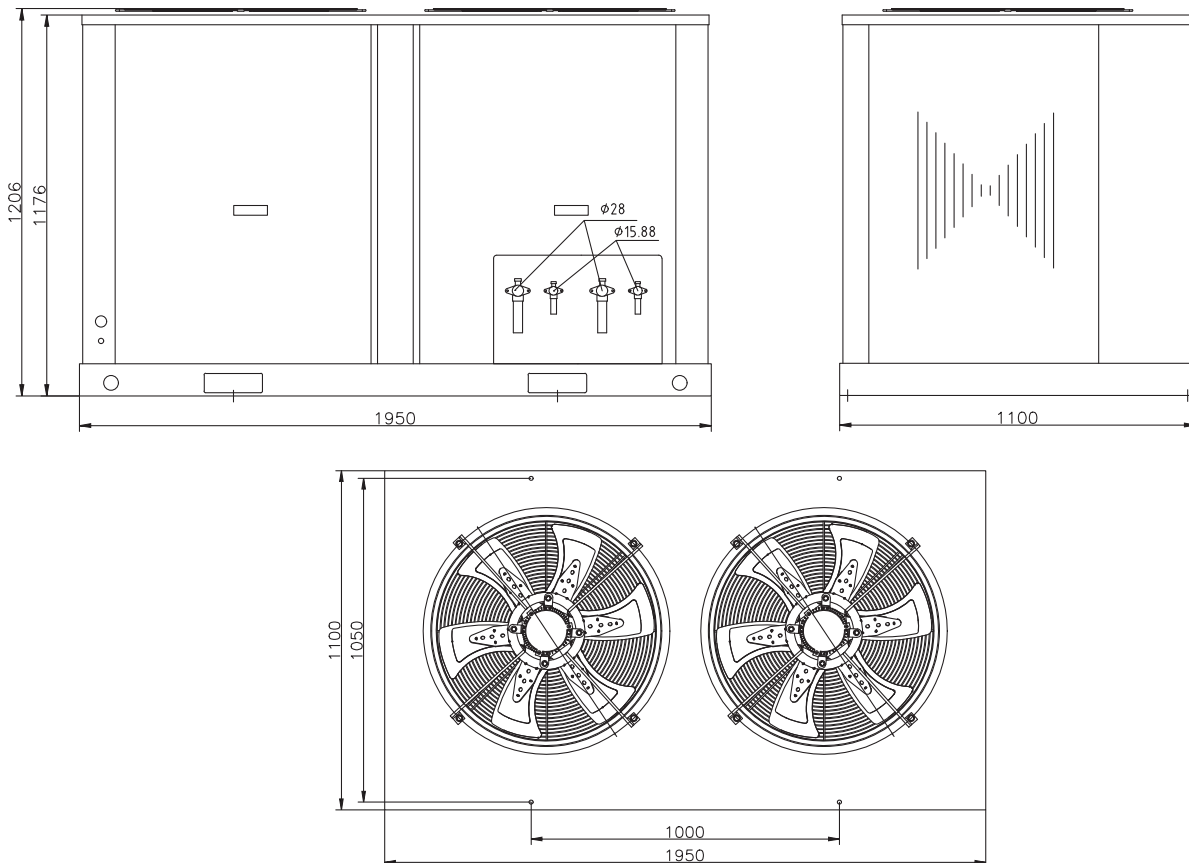
ACCS35



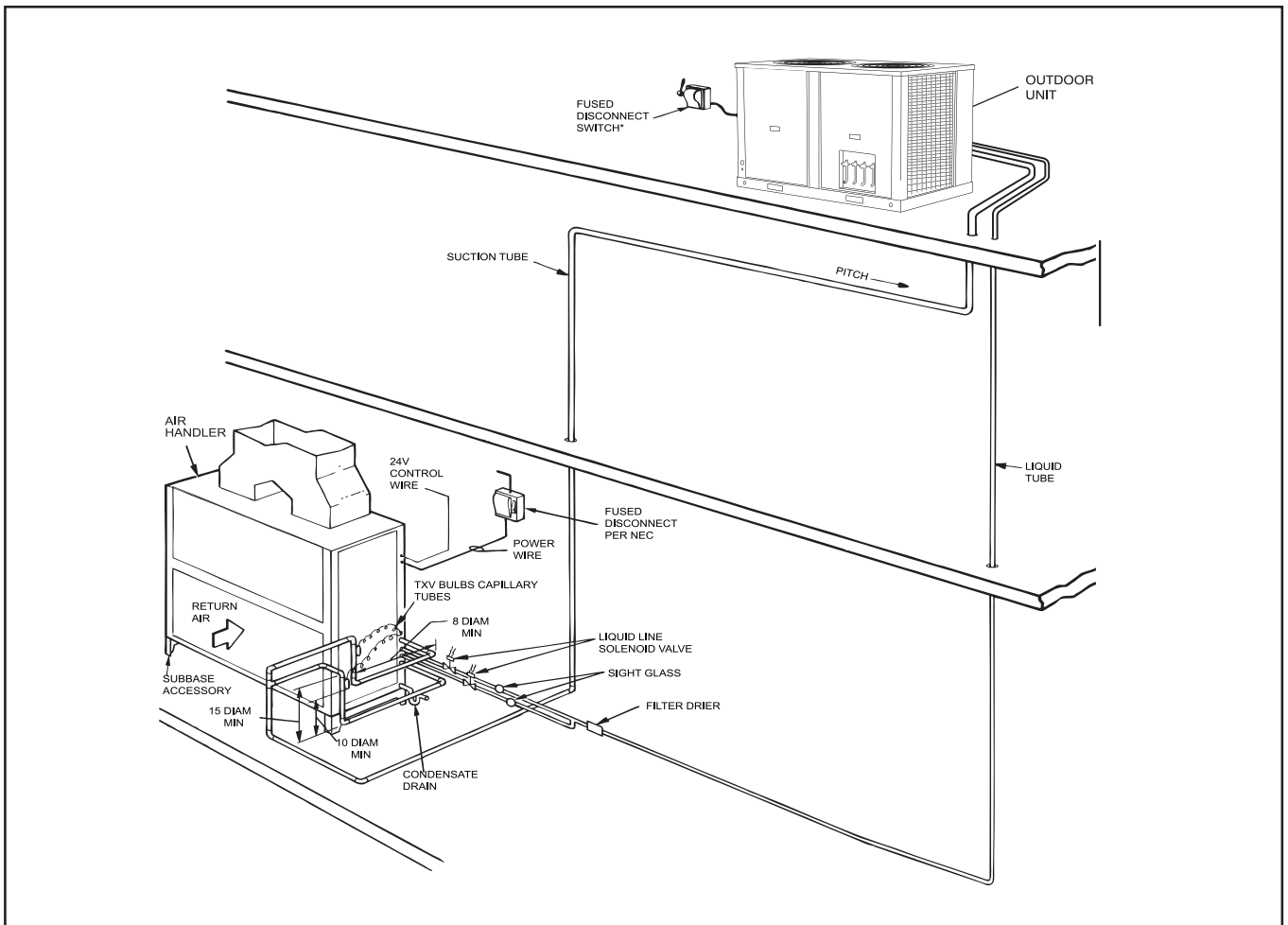
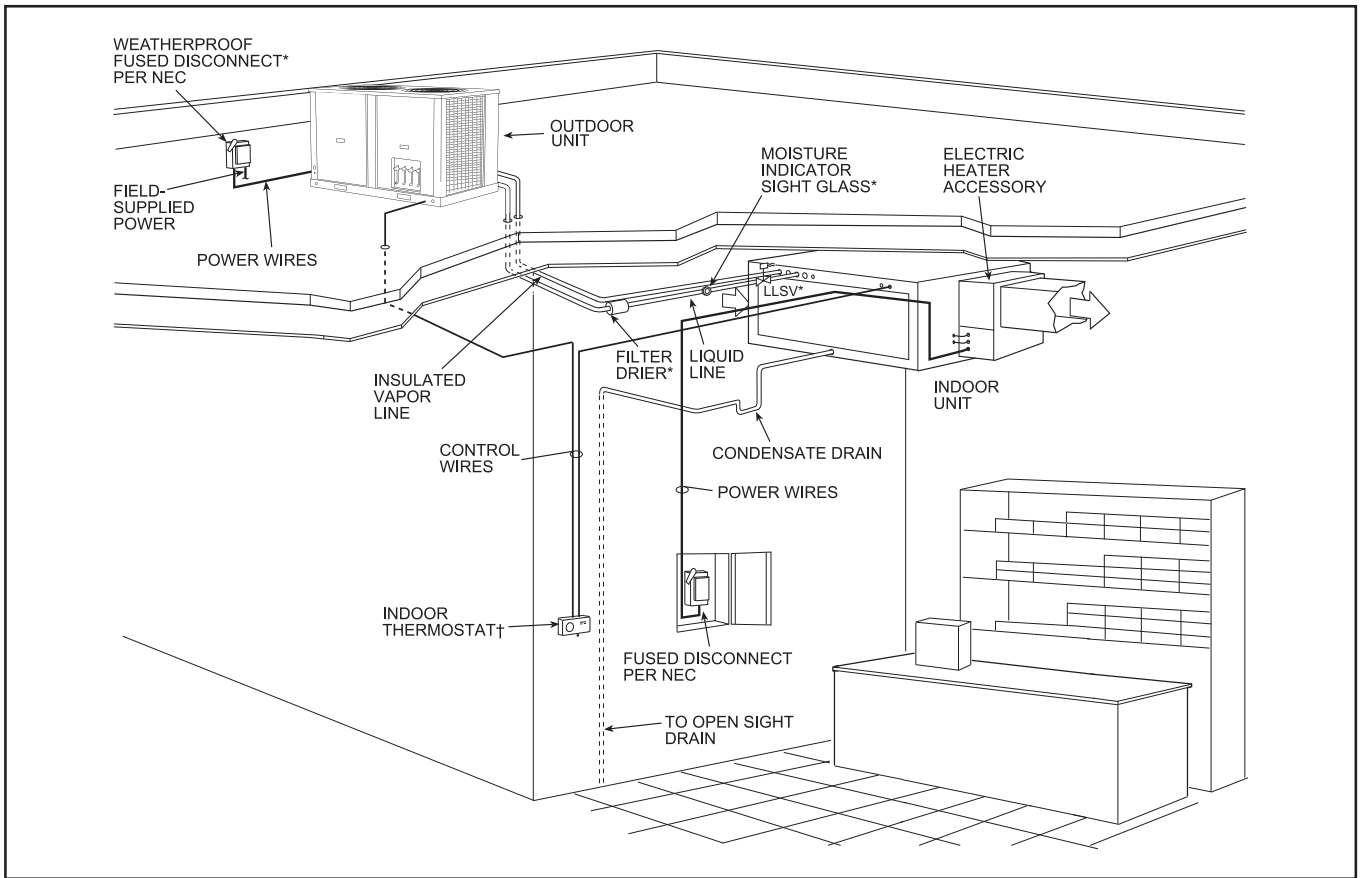
ACCS53



ACCS70



Typical Piping and wiring for Vertical & Horizontal installation





Please Scan Here
for quick link to Dunham-Bush website

DUNHAM-BUSH[®]

info@dunham-bush.com
www.dunham-bush.com

Products that perform...By people who care

Manufacturer reserves the right to change specifications without prior notice.